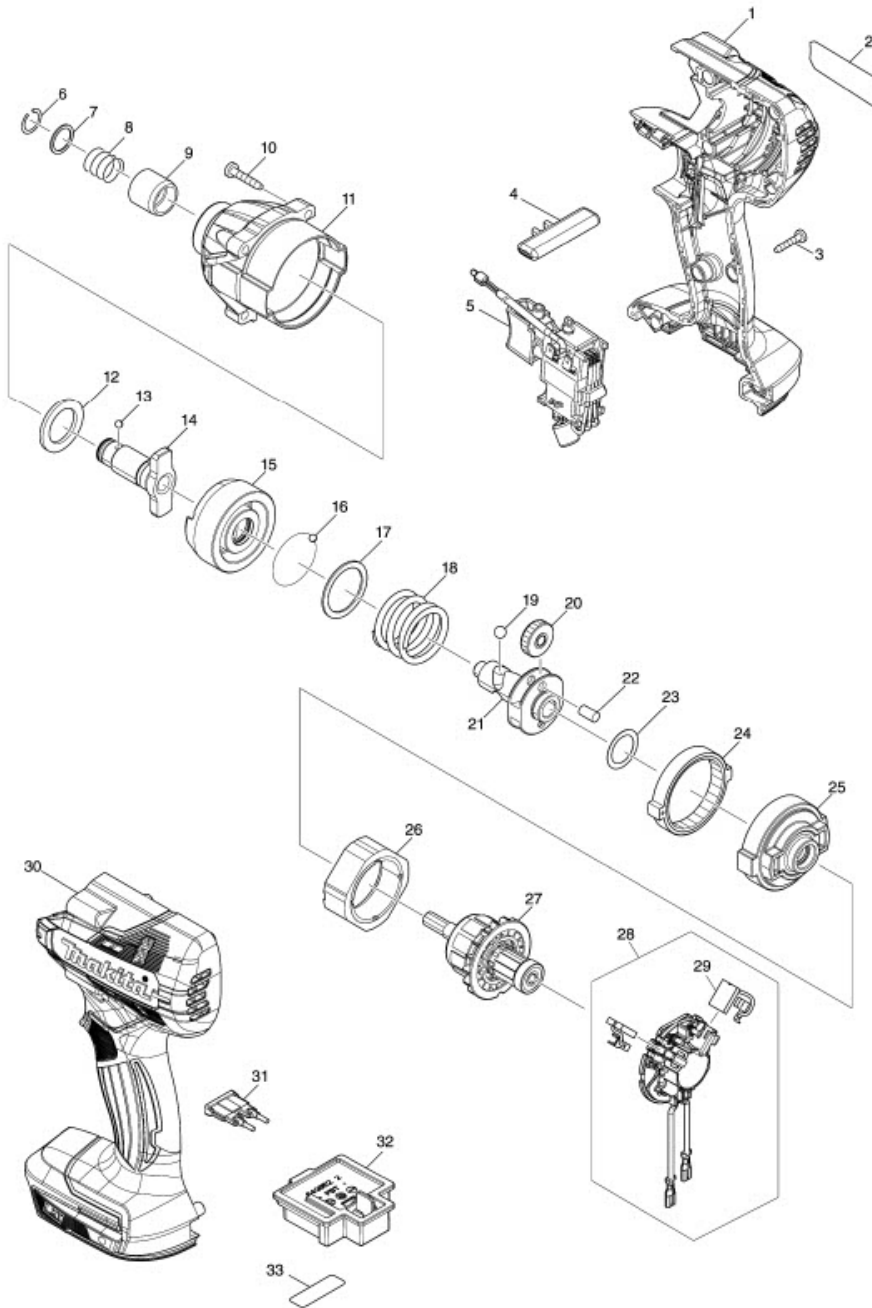


Part Diagram

Model No.DTD156 CORDLESS IMPACT DRIVER



Item	Sub	Parts No.	Parts Description	Qty
1		183N31-9	HOUSING SET	1
1	C10	252126-6	HEX. LOCK NUT M4-7	2
1	C20	263005-3	RUBBER PIN 6	2
1	D10		INC. 30	
2		856K77-7	DTD156 NAME PLATE	1
3		266429-2	TAPPING SCREW 3X16	8
4		452399-3	F/R CHANGE LEVER	1
5		632P57-5	SWITCH UNIT	1
6		231951-8	RING SPRING 11	1
7		267085-1	FLAT WASHER 12	1
8		233005-7	COMPRESSION SPRING 13	1
9		324420-7	SLEEVE	1
10		266374-1	TAPPING SCREW 4X25	4
11		140N57-4	HAMMER CASE COMPLETE	1
12		261151-6	NYLON WASHER 19	1
13		216040-0	STEEL BALL 3.5	2
14		326111-6	ANVIL N	1
15		326644-1	HAMMER	1
16		216040-0	STEEL BALL 3.5	24
17		267175-0	FLAT WASHER 24	1
18		233430-2	COMPRESSION SPRING 24	1
19		216041-8	STEEL BALL 5.6	2
20		227362-3	SPUR GEAR 22	2
21		326562-3	SPINDLE	1
22		256253-1	PIN 5	2
23		253314-8	THIN WASHER 15	1
24		227279-0	INTERNAL GEAR 51	1
25		144952-6	INTERNAL GEAR CASE	1
26		638396-5	YOKE UNIT	1
27		619553-4	ARMATURE	1
28		539241-6	BRUSH HOLDER ASS'Y	1
28	C10	231696-8	TORSION SPRING R	1
28	C20	231697-6	TORSION SPRING L	1
28	D10		INC. 29	
29		198887-3	CARBON BRUSH CB-5	1
30		183N31-9	HOUSING SET	1
30	C10	252126-6	HEX. LOCK NUT M4-7	2
30	C20	263005-3	RUBBER PIN 6	2
30	D10		INC. 1	
32		643852-2	TERMINAL	1
33		856K82-4	DTD156 SERIAL NO. LABEL	1
A01		346317-0	HOOK	1
A02		266622-8	+ TRUSS HEAD SCREW M4X12	1
A03B		***DC18SD	DC18SD BATTERY CHARGER	1
A03B	D10		COMPO-PARTS	
A04B		197600-6	BATTERY BL1830B SET	1
A10		E-08436	TWIST TORSION BIT PH2-65MM	1